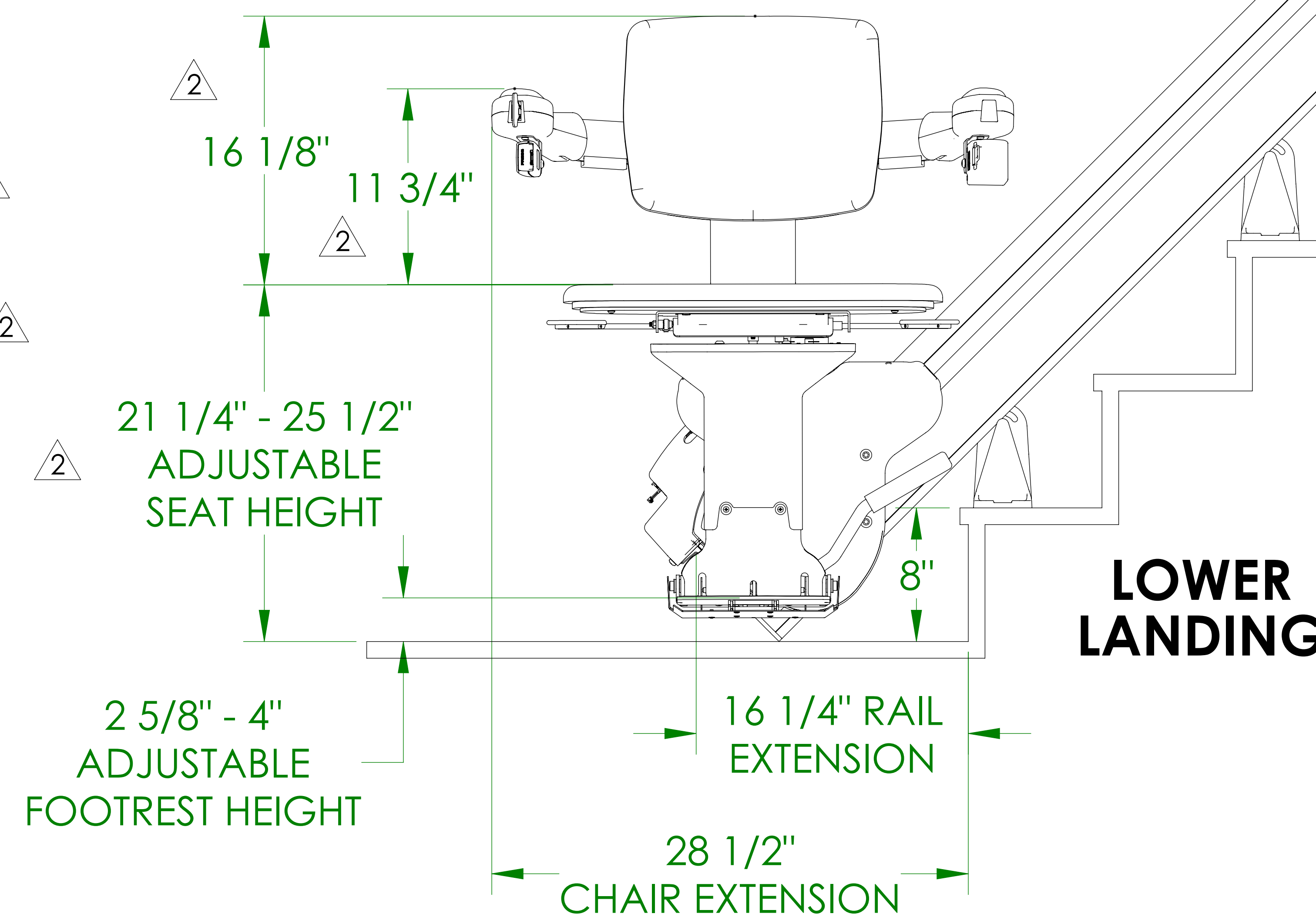
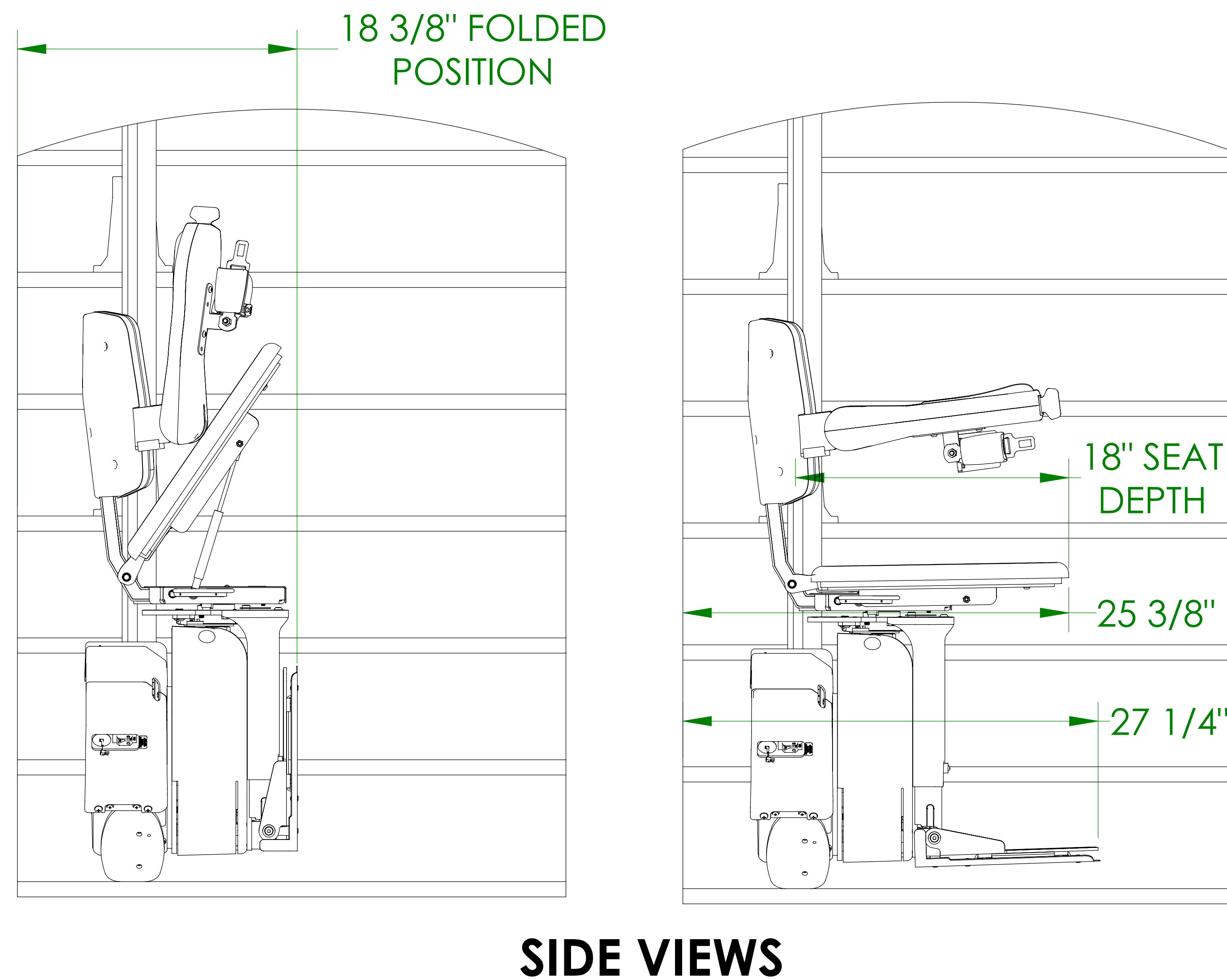
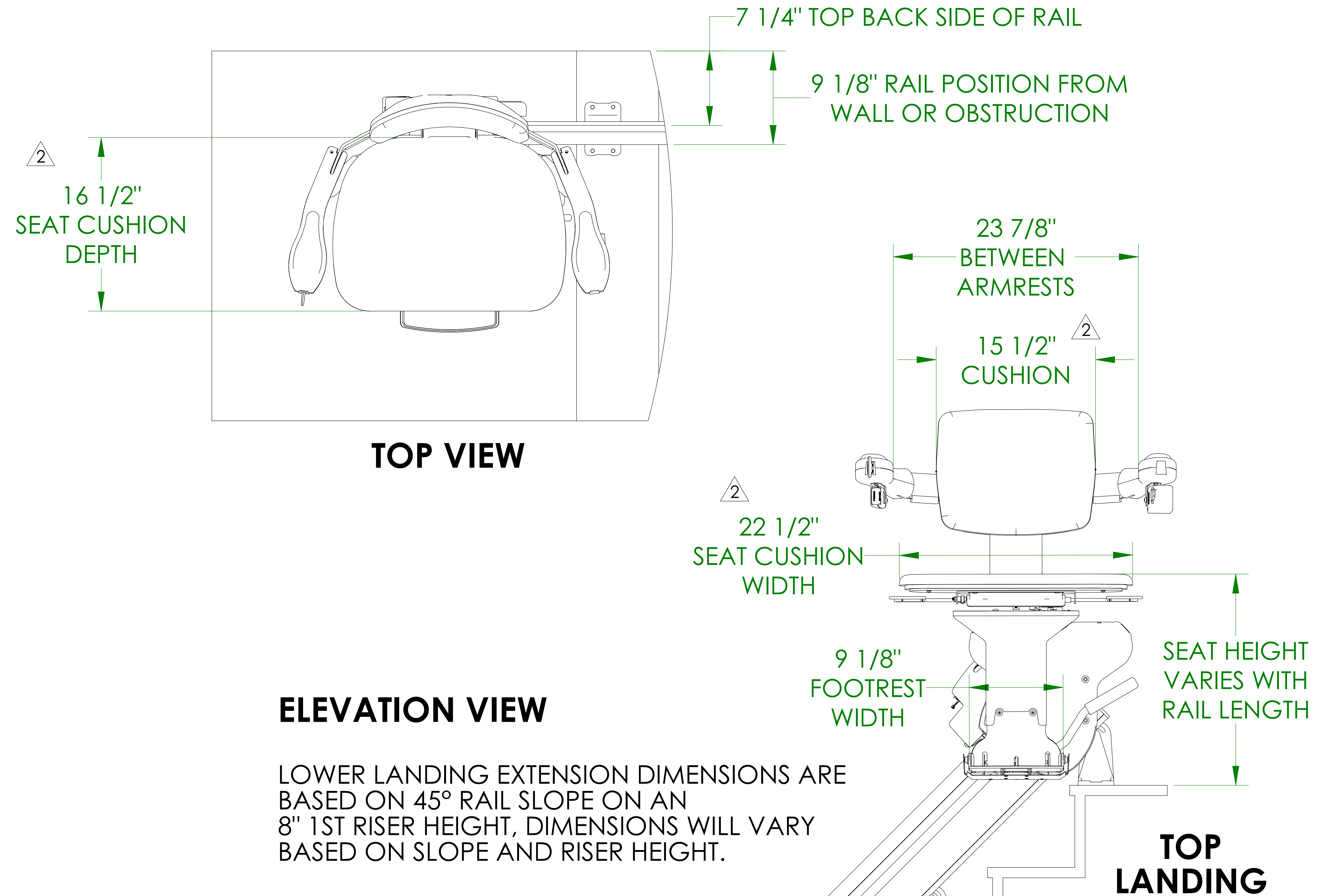


SRE-2010 ELITE STRAIGHT INDOOR STAIRLIFT XL SEAT OPTIONS DRAWING

TECHNICAL DATA/SPECIFICATION

MODEL: SRE-2010 ELITE W/XL SEAT
 RATED LOAD: 400 LBS, ONE PASSENGER
 POWER SOURCE: 24 VOLT DC COMPRISED OF (2) 7 AMP/HR
 12 VOLT SEALED BATTERIES
 100-240 VOLT AC 1.5 AMP, 24 VOLT DC 2 AMP
 CONTINUOUS MONITORING CHARGER.
 DRIVE: 24 VOLT DC DIRECT DRIVE GEAR-MOTOR, 2 POLE
 RATED .68 HP, 58:1 RIGHT ANGLE SELF LOCKING
 GEARBOX, 41.5 RPM NO LOAD RPM OUTPUT SPEED.
 SUSPENSION: RACK & PINION - INTEGRATED 8DP GEAR RACK
 ON RAIL WITH A SPUR GEAR ON THE OUTPUT
 SHAFT OF THE GEAR BOX.
 BRAKING: DYNAMIC MOTOR BRAKING THROUGH THE MOTOR
 CONTROLLER, SELF LOCKING WORM GEAR, AND
 ELECTRO-MECHANICAL MOTOR BRAKE.
 CONTROLS: CONTINUOUS PRESSURE ARMREST SWITCH LOCATED
 ON THE ARM REST AND WALL MOUNTED CALL/SEND
 CONTROLS LOCATED AT BOTH THE TOP AND
 BOTTOM LANDINGS.
 ANGLES: 0 TO 45° (SPECIALS UP TO 50°) RIGHT
 OR LEFT HAND ORIENTATIONS.
 KEYED CONTROL ON CARRIAGE
 FINAL LIMIT SWITCH STANDARD
 OPTIONS:
 1) KEYED CALL/SEND CONTROLS,
 2) COMMERCIAL PACKAGE W/OVERSPEED SAFETY BRAKE.



1780 Executive Drive
 Oconomowoc, WI 53066
 Tel 800-882-8181
 Fax 262-953-5501
 www.bruno.com

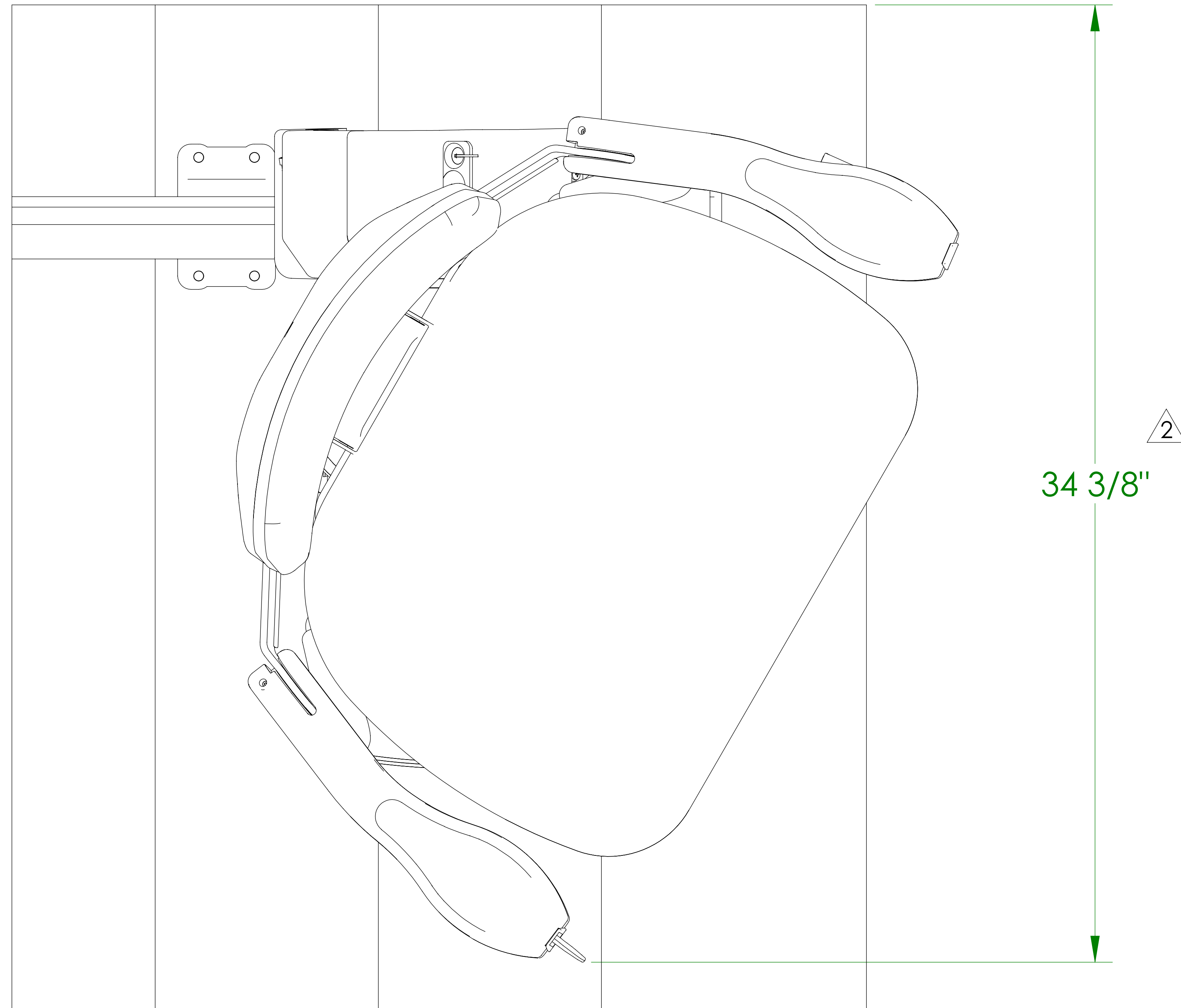
NOTE:
 1. ALL SEATS ADJUST UP 3" IN 1" INCREMENTS.
 2. STANDARD FOOTREST ADJUSTS UP 5/8".

ILS-01471
SHEET 1 OF 2
REV. 2 (7530)(08/24/22)(BHM)

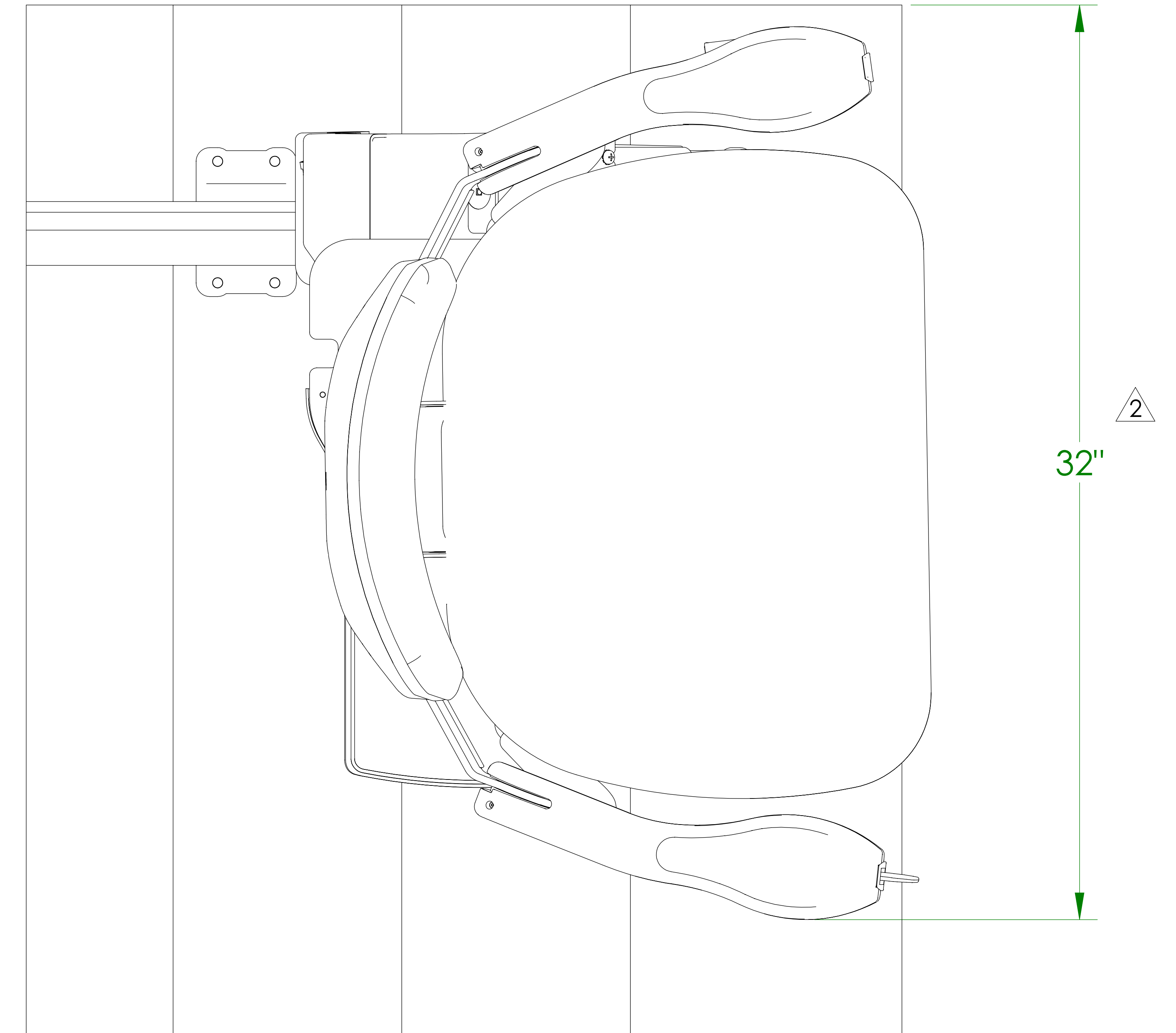


SRE-2010 ELITE STRAIGHT INDOOR STAIRLIFT XL SEAT OPTIONS DRAWING

DISTANCE FROM WALL - SEAT SWIVELED



SEAT SWIVELED 60°



SEAT SWIVELED 90°

1780 Executive Drive
Oconomowoc, WI 53066
Tel 800-882-8181
Fax 262-953-5501
www.bruno.com

ILS-01471
SHEET 2 OF 2
REV. 2 (7530)(08/24/22)(BHM)



©Bruno Independent Living Aids, Inc.