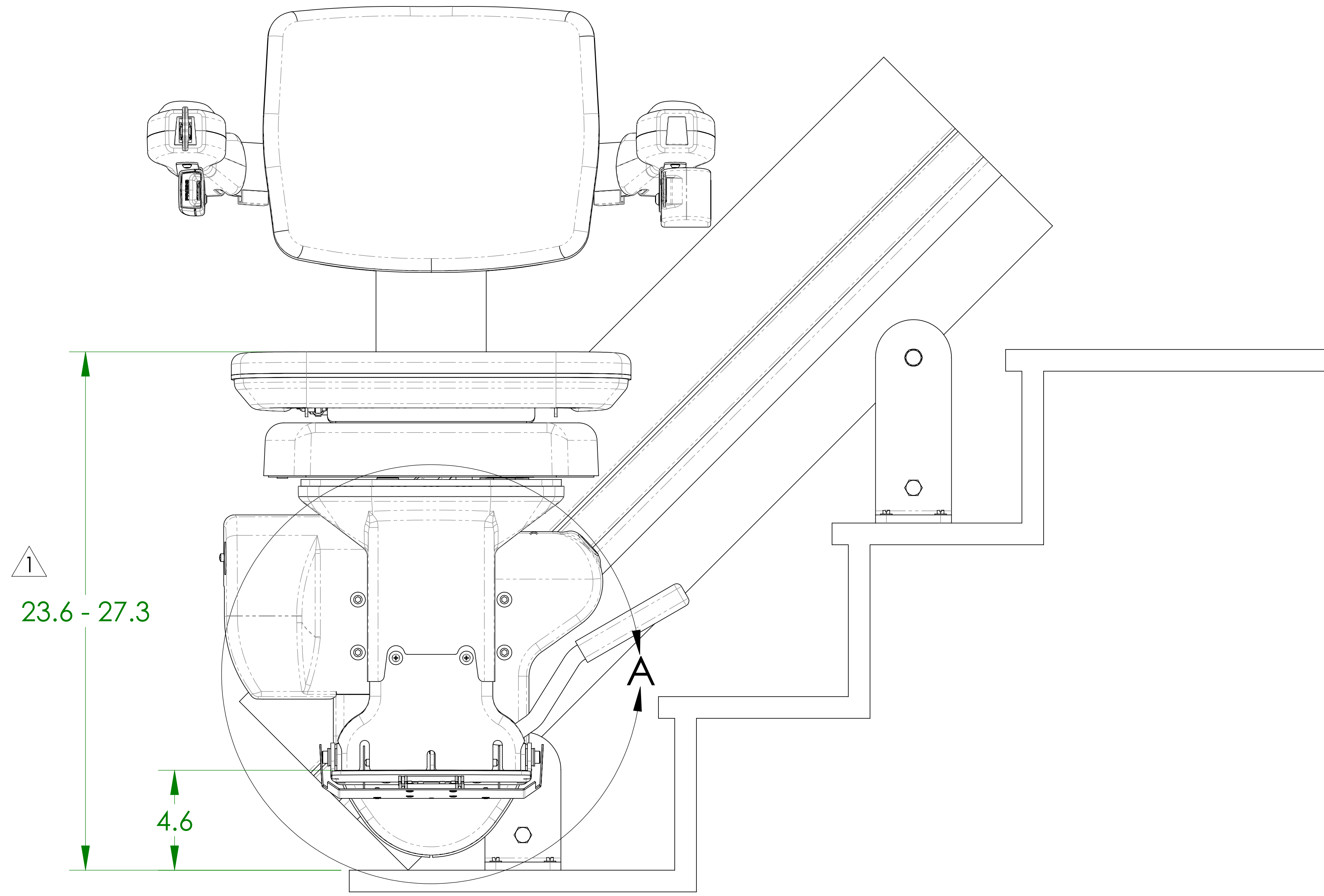
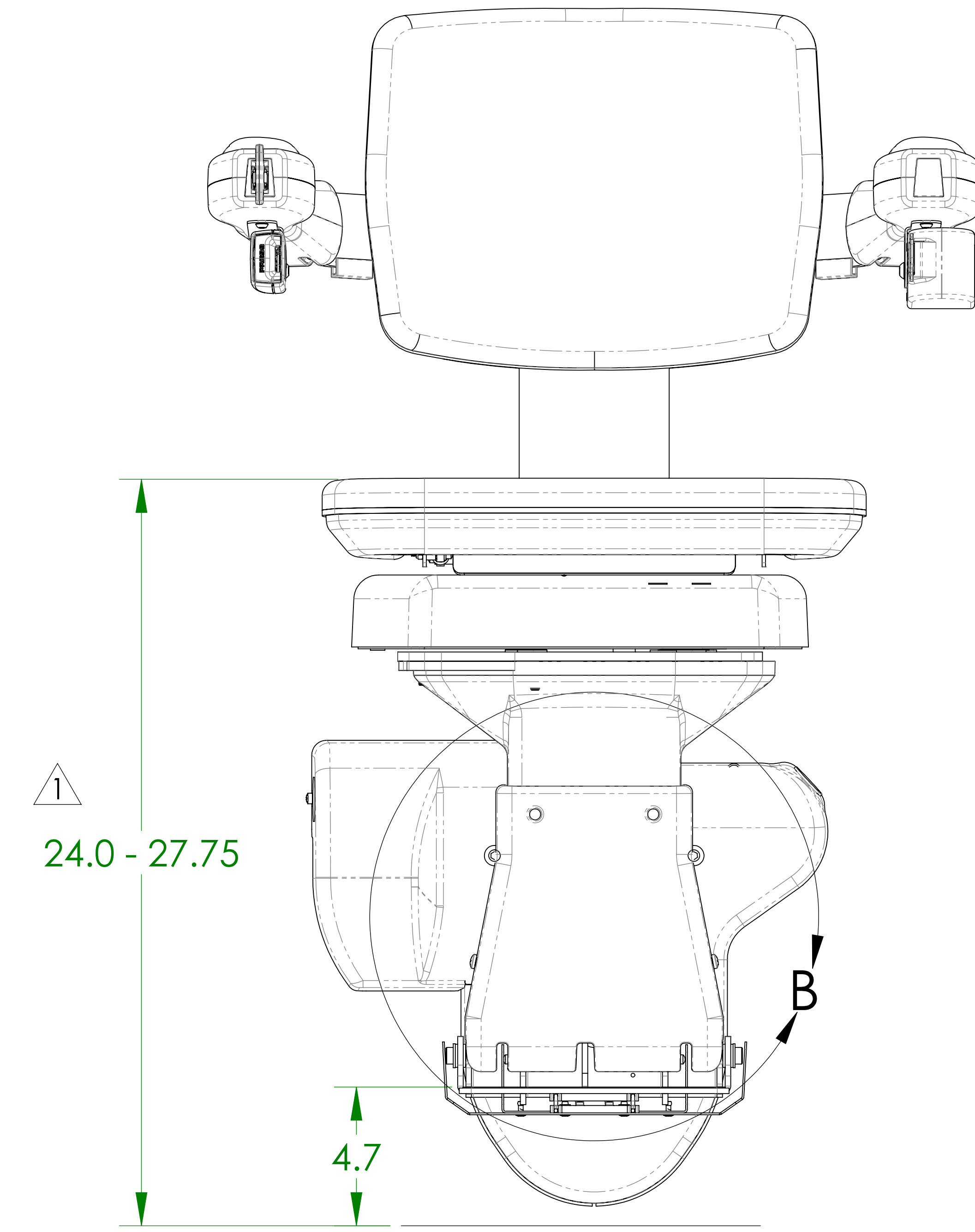


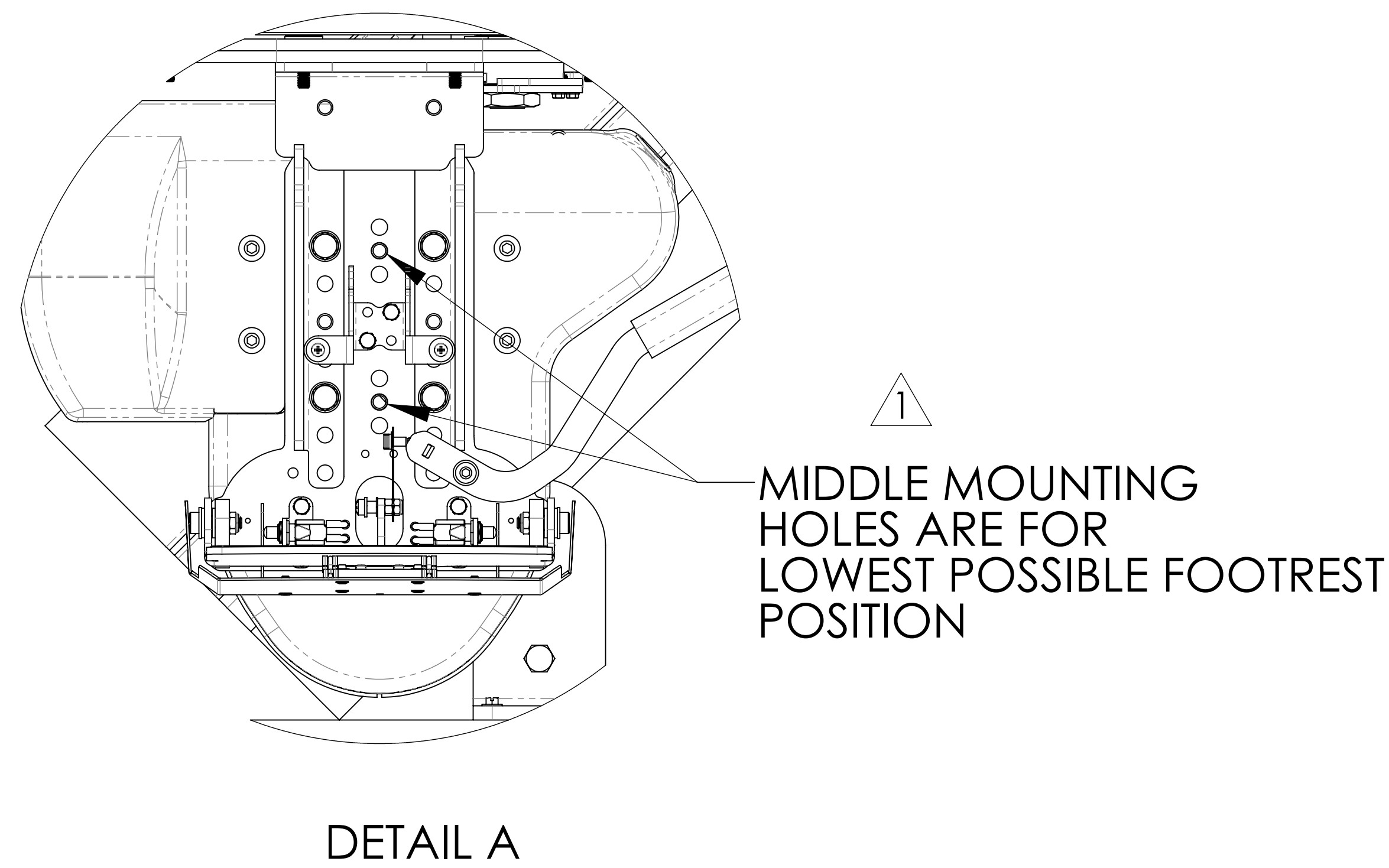
CRE-2110 POWER OPTIONS TECH DRAWING



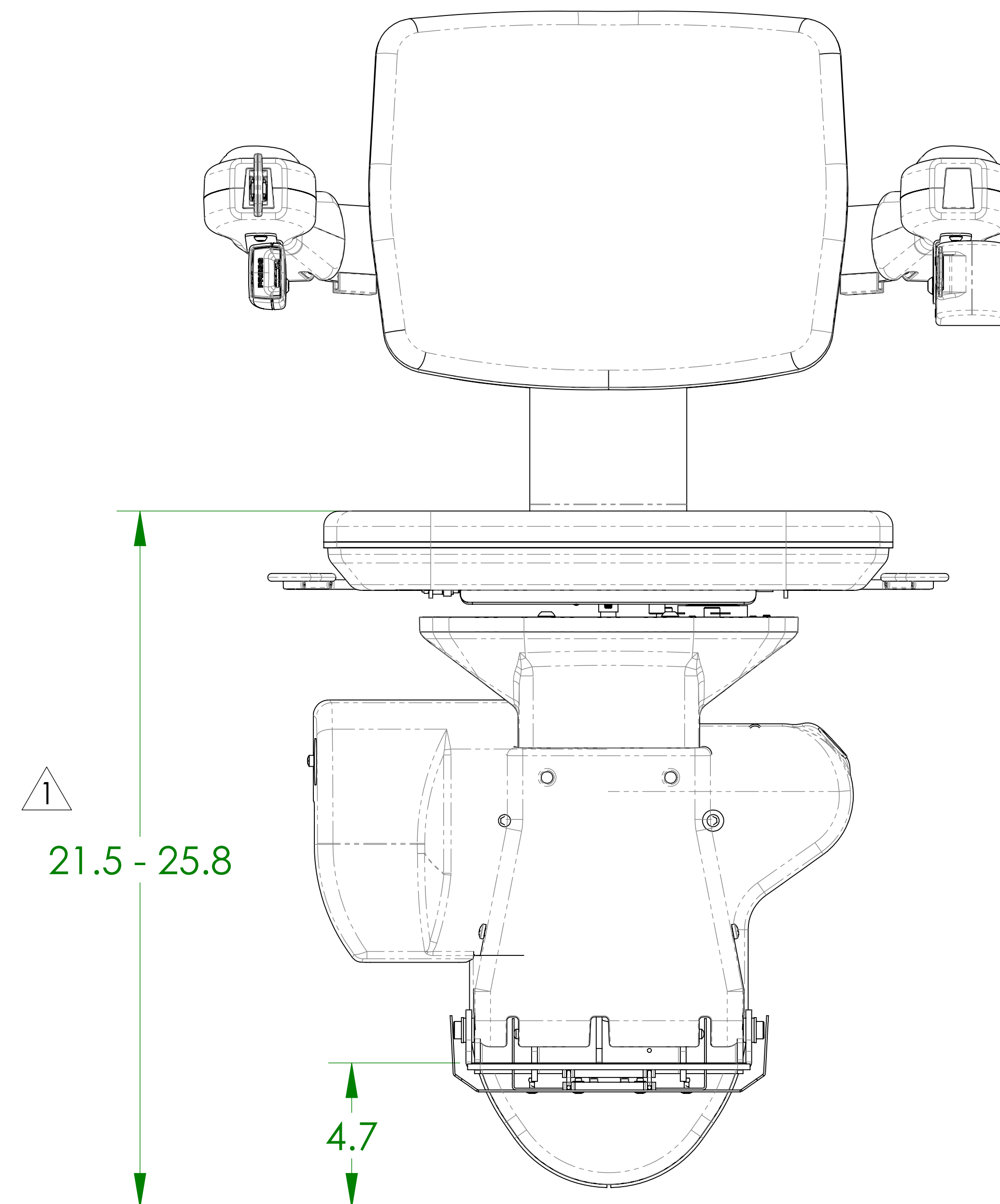
△ POWER SWIVEL SEAT ONLY
(USES MIDDLE MOUNTING HOLES,
LOWEST USABLE FOOTREST POSITION ON CRE-2110)
(SEE DETAIL A)



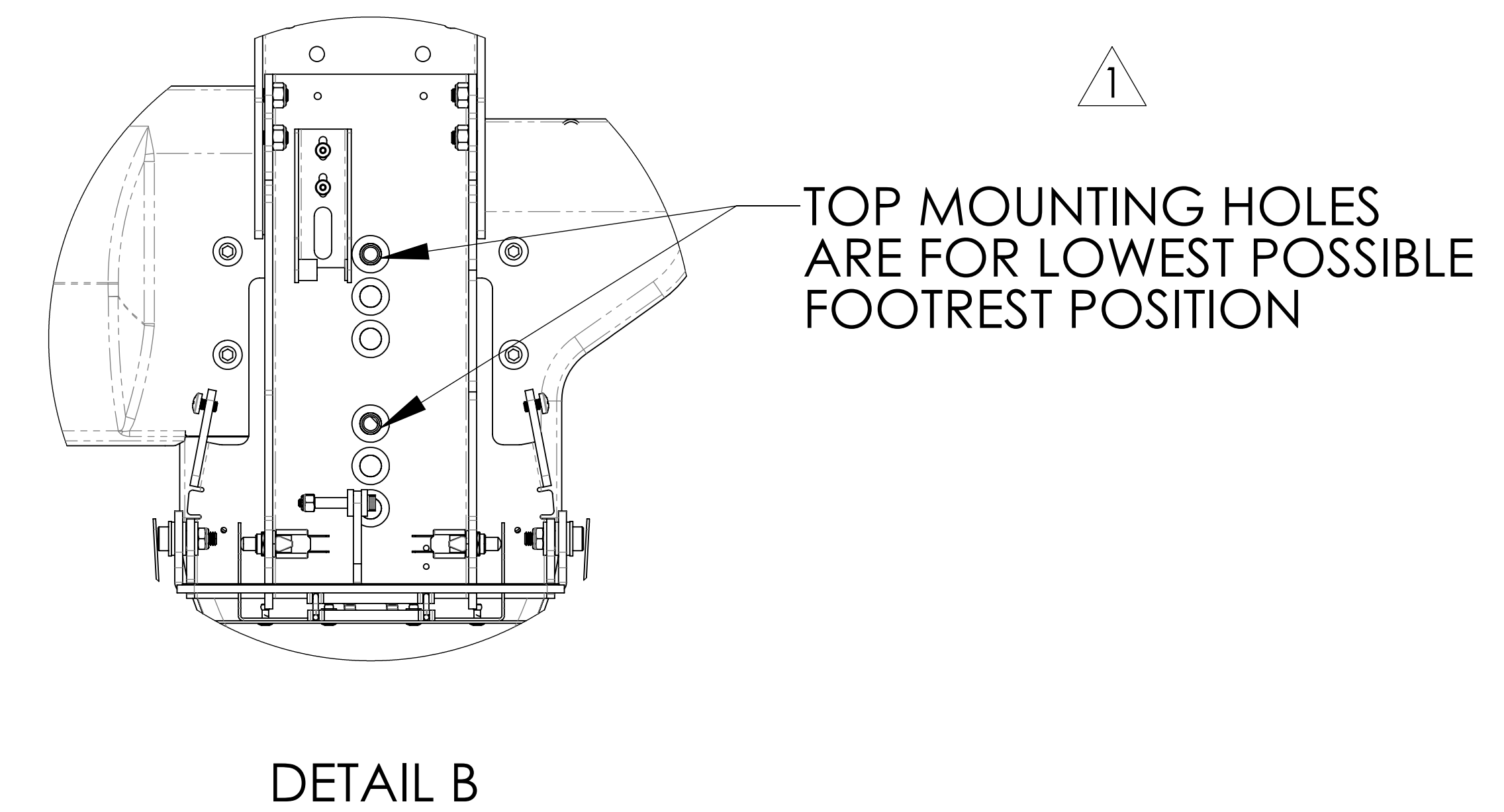
△ POWER SWIVEL SEAT AND POWER FOLDING FOOTREST
(USES TOP MOUNTING HOLES,
LOWEST USABLE FOOTREST POSITION ON CRE-2110)
(SEE DETAIL B)



DETAIL A



△ POWER FOLDING FOOTREST ONLY
(USES TOP MOUNTING HOLES,
LOWEST USABLE FOOTREST POSITION ON CRE-2110)
(SEE DETAIL B)



DETAIL B

△ NOTE:
WHEN THE BOTTOM FOOTREST MOUNTING HOLES ARE USED,
THE SEAT WILL BE IN ITS HIGHEST POSITION.