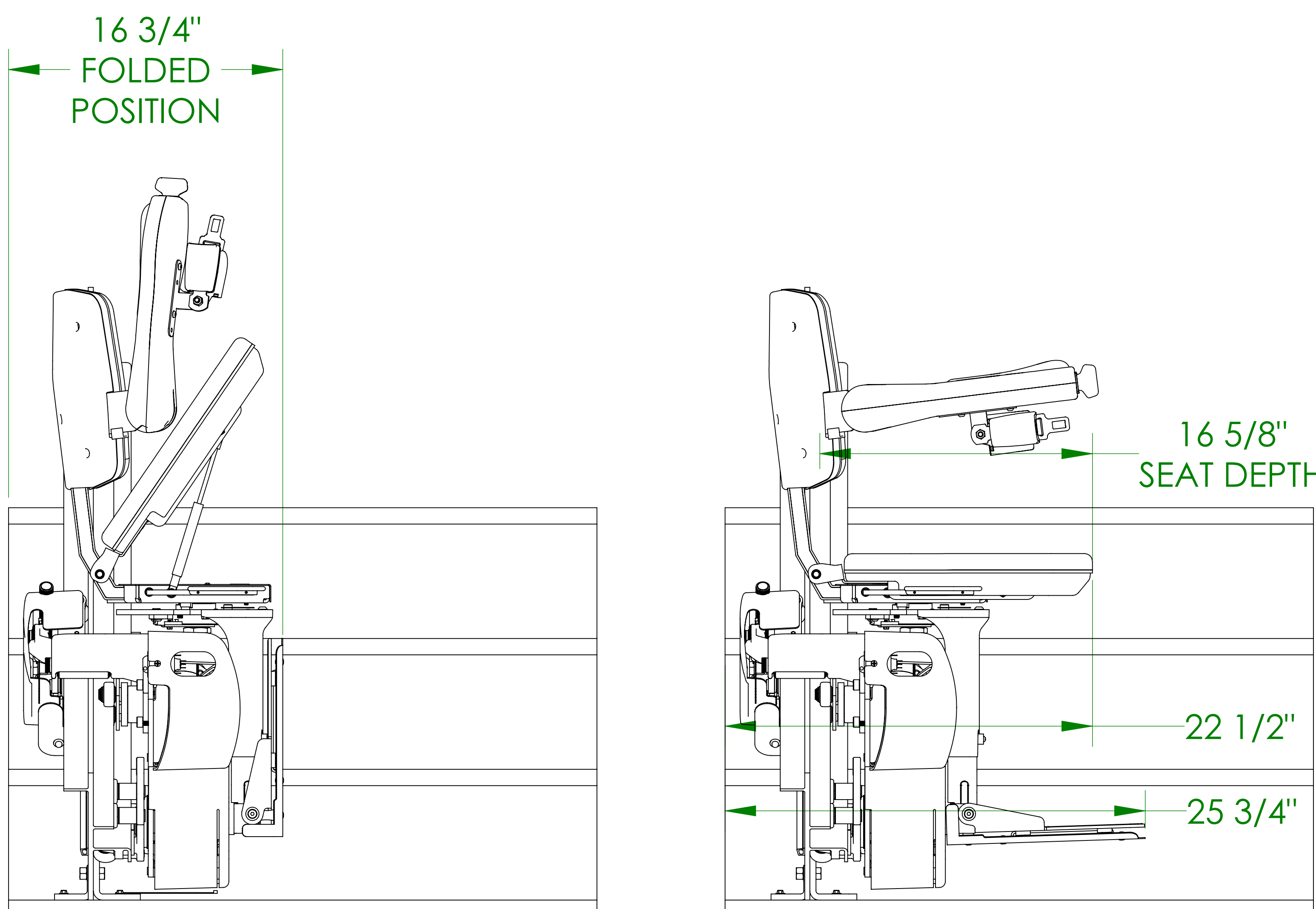


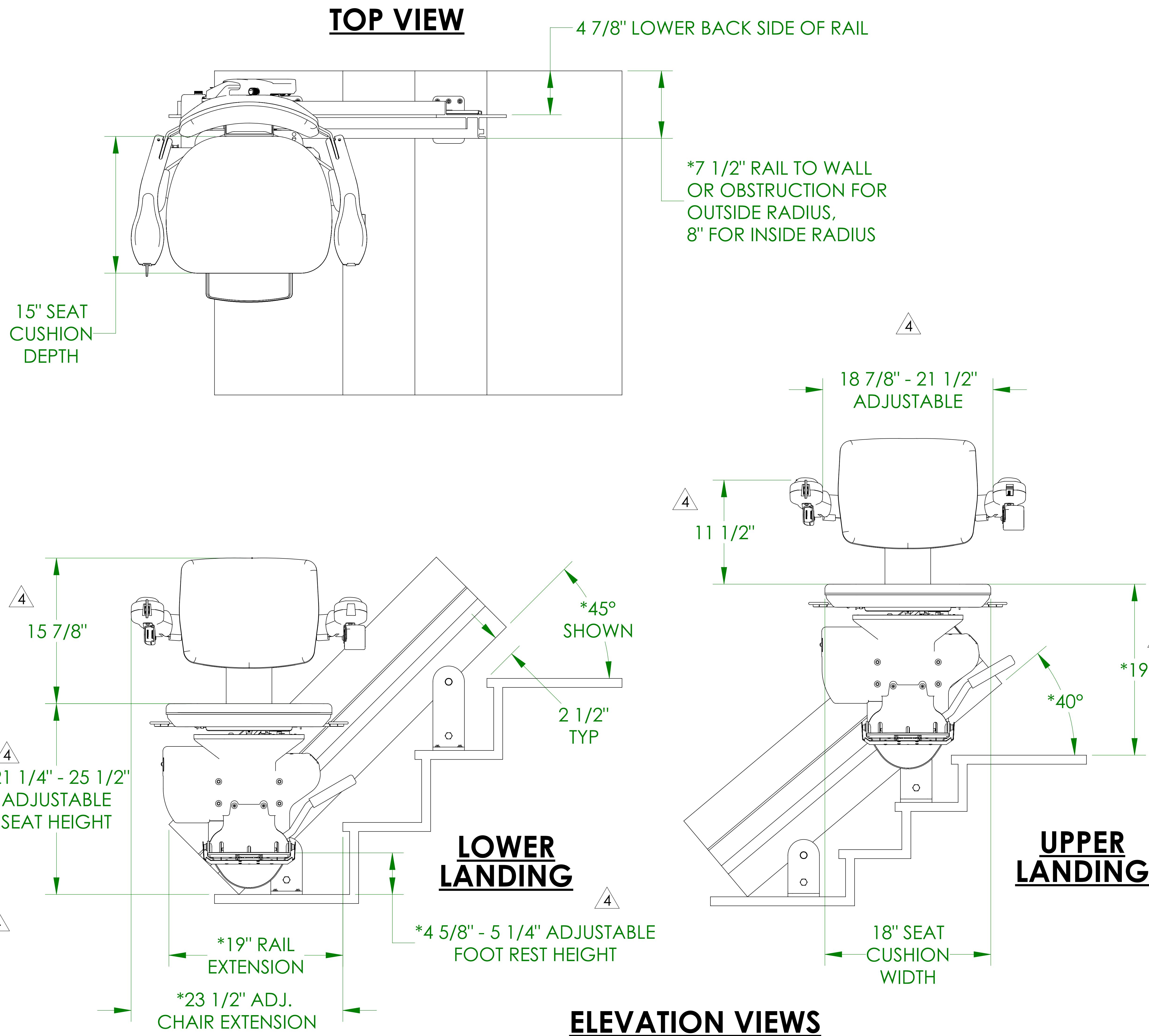
CRE-2110 ELITE CURVE INDOOR STAIRLIFT TECHNICAL APPLICATION DRAWING

TECHNICAL DATA/SPECIFICATION

MODEL: CRE-2110 ELITE CURVE
 RATED LOAD: 400 LBS, ONE PASSENGER
 POWER SOURCE: 24 VOLT DC COMPRISED OF (2) 7 AMP/HR 12 VOLT SEALED BATTERIES
 110 VOLT AC 1.5 AMP, 24 VOLT DC 2 AMP CONTINUOUS MONITORING CHARGER.
 DRIVE: 24 VOLT DC DIRECT DRIVE GEAR-MOTOR, 2 POLE RATED .68 HP, 58:1 RIGHT ANGLE SELF LOCKING GEARBOX, 41.5 RPM NO LOAD RPM OUTPUT SPEED.
 SUSPENSION: RACK & PINION - INTEGRATED 8DP GEAR RACK ON RAIL WITH A SPUR GEAR ON THE OUTPUT SHAFT OF THE GEAR BOX.
 BRAKING: DYNAMIC MOTOR BRAKING THROUGH THE MOTOR CONTROLLER, SELF LOCKING WORM GEAR, AND ELECTRO-MECHANICAL MOTOR BRAKE.
 CONTROLS: CONTINUOUS PRESSURE ARMREST SWITCH LOCATED ON THE ARM REST AND WALL MOUNTED CALL/SEND CONTROLS LOCATED AT BOTH THE TOP AND BOTTOM LANDINGS.
 ANGLES: 0 TO 45° (SPECIALS UP TO 50°)
 RIGHT OR LEFT HAND ORIENTATIONS.
 FINAL LIMIT SWITCH STANDARD
 OPTIONS:
 1) KEYED CALL/SEND CONTROLS,
 2) KEYED CONTROL ON CHAIR,
 3) COMMERCIAL PACKAGE W/OVERSPEED SAFETY BRAKE.



DIMENSIONS ARE BASED ON 7.5" RAIL TO WALL POSITION
SIDE VIEWS



DIMENSIONS WITH * ARE APPROXIMATE. THESE DIMENSIONS MAY VARY BASED ON THE SLOPE, RISER HEIGHT, AND CUSTOM SEAT ADJUSTMENTS MADE FOR THE USER.



NOTES:
 1. ALL SEATS ADJUST UP 3" IN 1" INCREMENTS.
 2. STANDARD FOOTREST ADJUSTS UP 5/8".

1780 Executive Drive
 Oconomowoc, WI 53066
 Tel 800-882-8181
 Fax 262-953-5501
 www.bruno.com



©Bruno Independent Living Aids, Inc.

CRE-2110 ELITE CURVE INDOOR STAIRLIFT TECHNICAL APPLICATION DRAWING

OUTSIDE RADIUS

8" WALL TO
OUTSIDE OF RAIL

21 5/8"
MINIMUM
TURN
DIAMETER

9" RAIL TO
INSIDE OF WALL

7 1/2" TYPICAL
WALL TO
OUTSIDE
OF RAIL

R18 1/2" - 20"
ADJUSTABLE SWIVEL RADIUS

INSIDE RADIUS

UPPER STAIRCASE LANDING

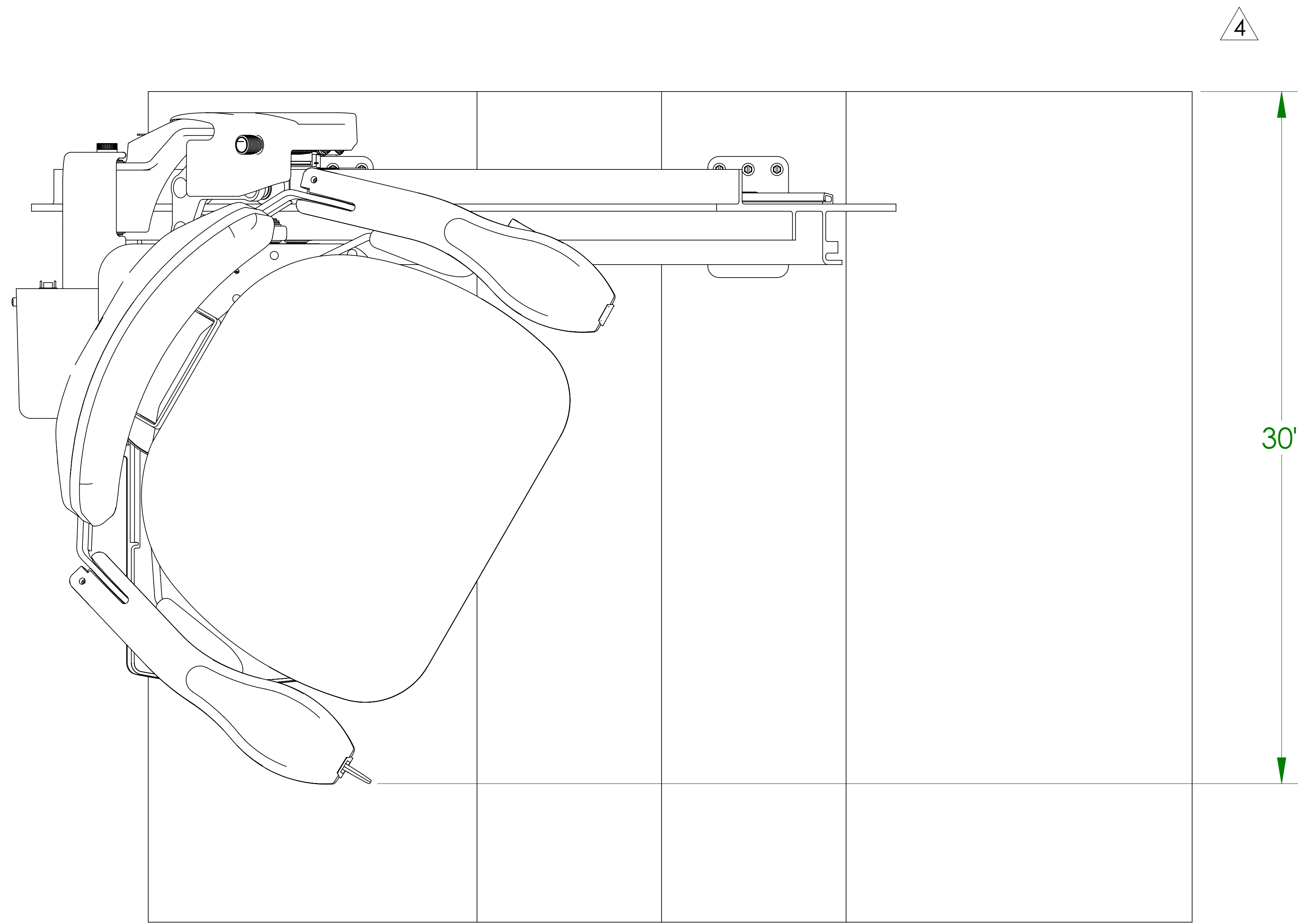
ILS-00904
SHEET 2 OF 3
REV. 4 (7530)(08/30/22)(BHM)



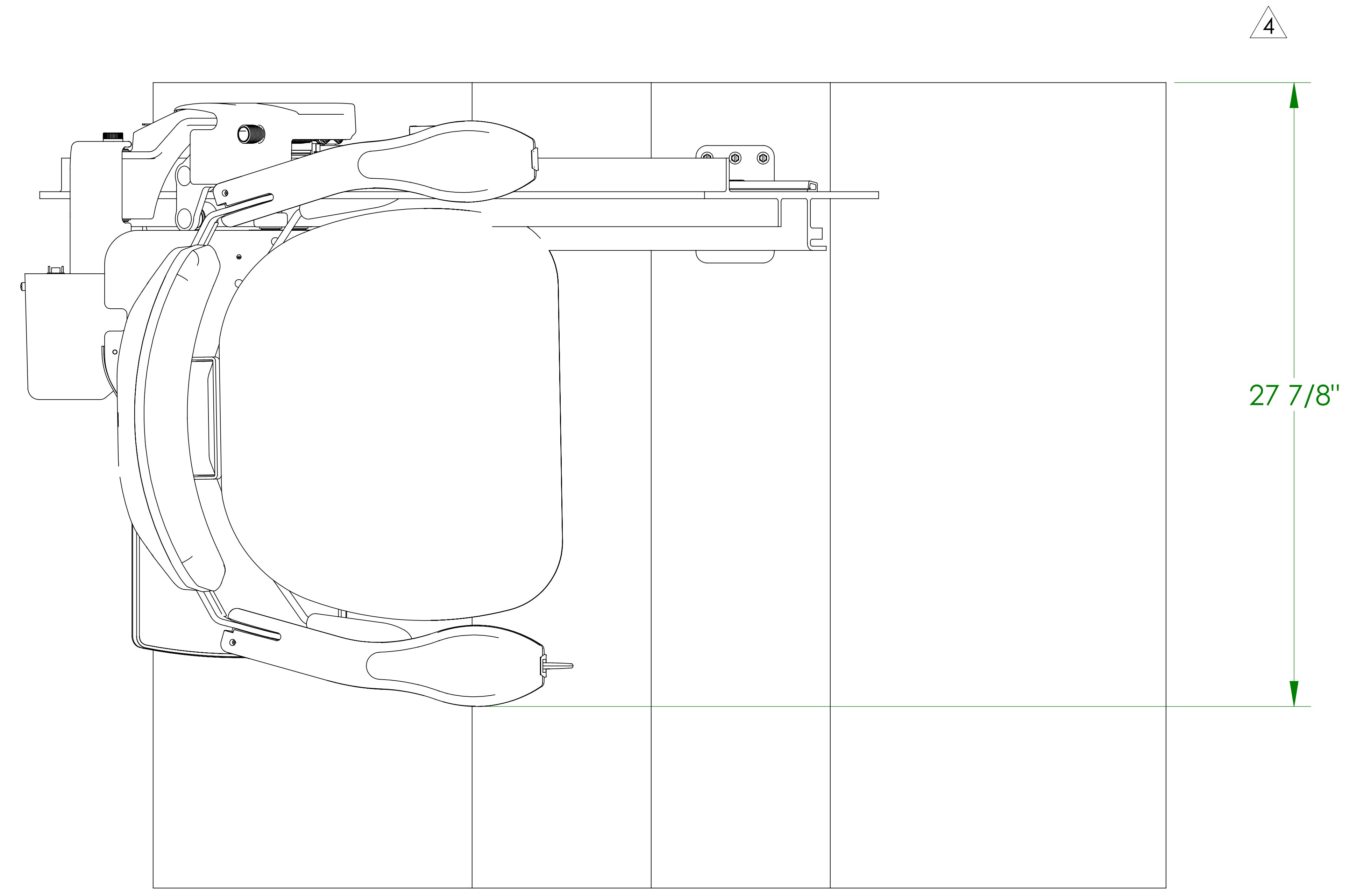
©Bruno Independent Living Aids, Inc.

CRE-2110 ELITE CURVE INDOOR STAIRLIFT TECHNICAL APPLICATION DRAWING

DISTANCE FROM WALL - SEAT SWIVELED



SEAT SWIVELED 60°



SEAT SWIVELED 90°